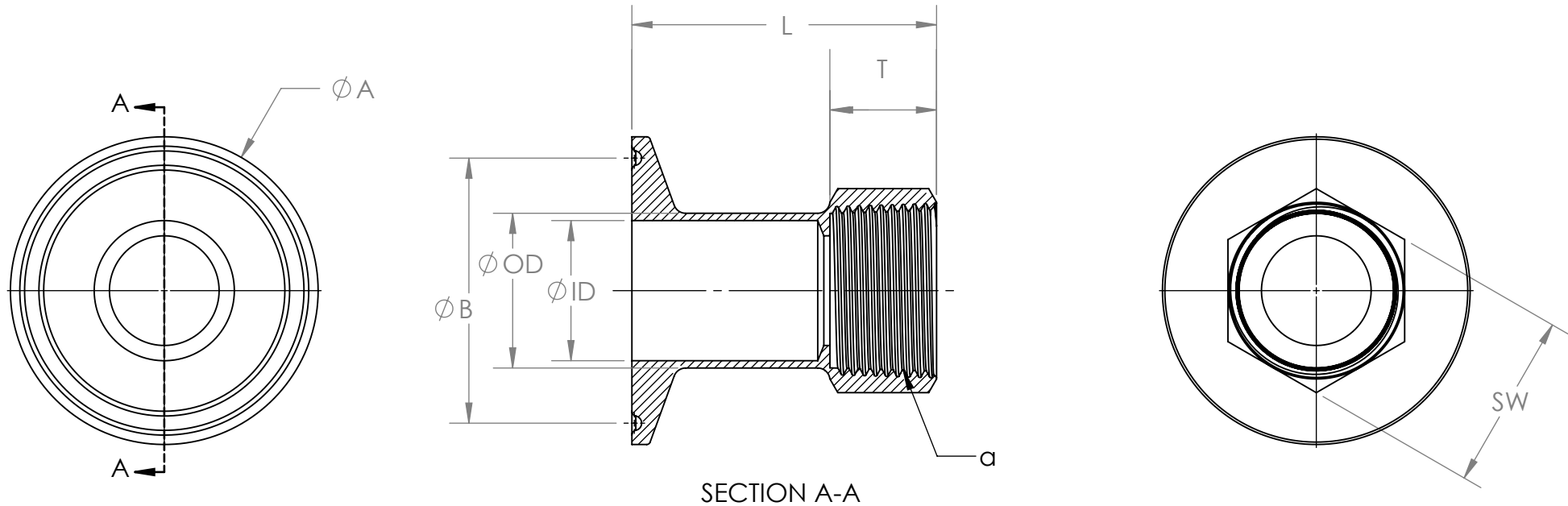
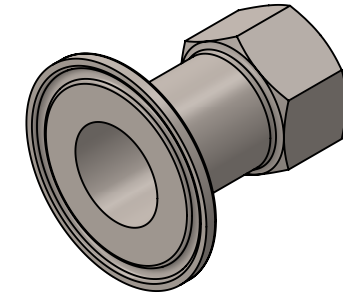


型式	呼び径	a	A	B	L	T	SW	OD	ID
FR316-1.0-20	1.0S	Rc3/4	50.5	43.5	50	17.5	29	25.4	23
FR316-1.25-25	1.25S	Rc1	50.5	43.5	50	17	37	31.8	29.4
FR316-1.5-32	1.5S	Rc1-1/4	50.5	43.5	50	18.5	46	38.1	35.7
FR316-2.0-40	2.0S	Rc1-1/2	64	56.5	55	22	51	50.8	47.8
FR316-2.5-50	2.5S	Rc2	77.5	70.5	60	22	65	63.5	59.5
FR316-3.0-65	3.0S	Rc2-1/2	91	83.5	65	23	79	76.3	72.3
FR316-3.5-80	3.5S	Rc3	106	97	76	27	95	89.1	85.1
FR316-4.5-100	4.5S	Rc4	130	122	100	33	117.48	114.3	108.3



DO NOT SCALE DRAWING		 THIRD ANGLE PROJECTION	METRIC		CHIHIRO			
CONFIDENTIAL DESIGN OF ChiHiro Co., Ltd. DO NOT DISTRIBUTE WITHOUT CONSENT			TOLERANCES UNLESS OTHERWISE SPECIFIED		engineered items www.chi-hiro.co.jp			
1. PART MUST BE PERMANENTLY MARKED WITH A PART NUMBER, REVISION, & VENDOR ID. 2. DIMENSIONS ARE IN MILLIMETERS; DUAL DIMENSIONS ARE IN INCHES 3. BREAK ALL SHARP EDGES AND CORNERS. 4. TAPPED HOLES MUST BE FREE OF MATERIAL.		MATERIAL: SUS316L		.XX = +/- 0.10 .X = +/- 0.25 X = +/- 0.50 ANGLE = +/- 0.1°		TITLE ヘルール PTねじソケット		
		FINISH: POLISHED		DATE: 2021-05-19		SIZE	PART NUMBER	
		USED ON:				A4	FR316-X.X-XX	REV. A